



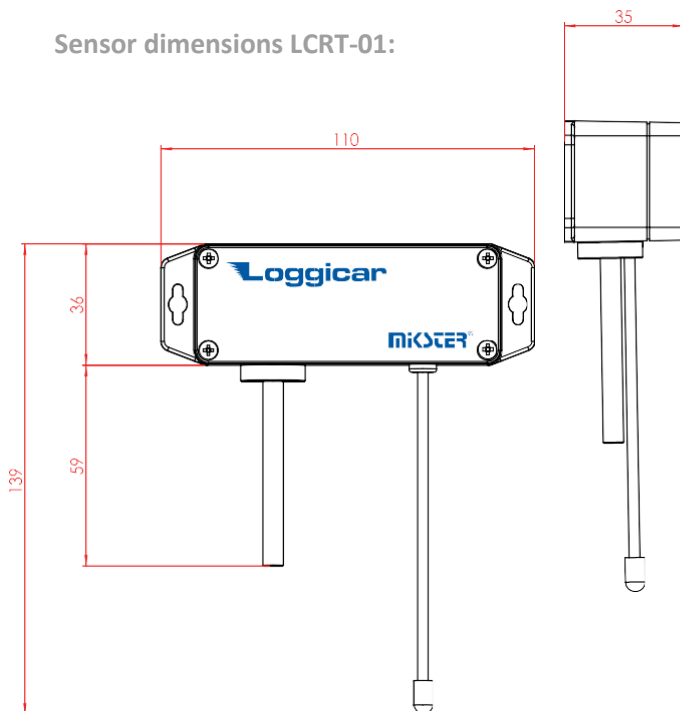
DESCRIPTION:

The LCRT-01 sensor is designed for temperature measurements in trailers or refrigerated trucks. The sensor's housing is adapted for wall mounting. Using a radio temperature and humidity sensor is recommended in places where creating a wired installation is difficult or not advisable.

The sensor enables wireless temperature and humidity measurement in the Loggicar-R system. Additionally the sensor has a backup recording buffer allowing for storing measurements from the last 64 hours.

Technical data	
Measuring range of the probe	-40°C..85 °C
Measuring range of the probe K/...	-40 °C..125 °C
Accuracy of the probe measurement for the temperature range	±2 °C (-40°C.. -10°C) ±0,5 °C (-10°C.. +85°C)
Accuracy of the probe measurement For temperature range K/...	±2 °C (-40°C.. -20°C) ±0,5 °C (-20°C.. +85°C) ±2 °C (+85°C.. +125°C)
Temperature measurement resolution	0,1 °C
Power	Lithium battery 3.6V
Battery life	Not less than 2 years
Operating conditions for the housing sensor	Temperature: -30°C.. +85°C Humidity: 0..75%
Storage conditions	Temperature: -30 °C.. +85 °C Humidity: 0..75%
Electromagnetic compatibility (EMC)	Immunity acc. to PN-EN61000-6-2
Data transmission	Operating frequency 868.4 MHz 384 measurements every 10 min.
Internal measurement buffer	(In case of lack of communication with the recorder, the sensor stores data in its internal buffer for 64 hours)
Installation data	
External dimensions	Housing: 110x36x35mm (W, H, D) with antenna and temperature sensor 110x139x35mm
Weight	55g
Temperature probe dimensions	Length 59mm, diameter ø6mm Length 68mm*, diameter ø6mm
Mounting	2 holes ø5,2mm spacing 100mm
Degree of protection, housing	IP65, polycarbonate

Sensor dimensions LCRT-01:



Sensor dimensions LCRT-01(K2,5)

